

# NEW Retrofit Wall Support

SCHIEDEL

LIFETIME \*  
GUARANTEE!



**Over £120 Saving and  
Double Reward Points**  
on a typical  $\text{Ø}150$  4.5 m  
bungalow installation using  
standard black painted  
components.

This component has been introduced to the range to allow for a simple, retrofit support, which has been designed to minimise the footprint of the side plates, whilst maximising the load bearing capability,

This allows for one support to be used on most standard bungalow or 2 storey homes, supporting up to 10m of chimney.

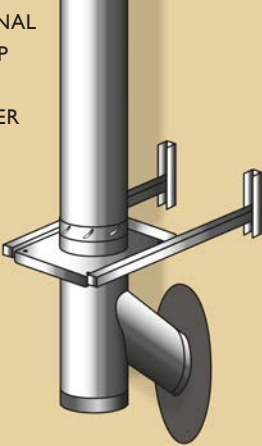
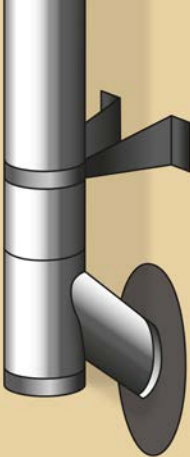


A **standard**  
INDUSTRIES COMPANY

# NEW Retrofit Wall Support

SCHIEDEL

Fantastic savings based on list prices for a typical Ø150 4.5m bungalow installation using standard black painted components.

|   |  |
|---|--|
| <p>TRADITIONAL<br/>BLACK TOP<br/>PLATE &amp;<br/>CANTILEVER<br/>SUPPORTS</p> <p><b>£188</b></p>  | <p>NEW<br/>BLACK<br/>RETROFIT<br/>WALL<br/>SUPPORT</p> <p><b>£67</b></p>  <p>SYSTEM<br/>COST<br/>SAVING<br/><b>9.5%</b></p> |
|---|--|

## INSTALLER FRIENDLY FEATURES

- Supports 10m of Double Wall Chimney.
- Adjustment on side plates 60-200mm from wall.
- Light weight clamp band design with captive nuts.
- Diameters 100, 125 and 150.

### Schiedel Chimney Systems

Crowther Estate

Washington

Tyne & Wear NE38 0AQ

Tel. +44 (0)191 416 1150

[sales.uk@schiedel.com](mailto:sales.uk@schiedel.com)

[schiedel.com/uk](http://schiedel.com/uk)

## SCHIEDEL INSTALLER REWARDS

Double points when you register this Retrofit Wall Support with a Schiedel installation using our online guarantee registration portal.

Visit [SchiedelRewards.co.uk](http://SchiedelRewards.co.uk) for more details on how to be rewarded for installing with Schiedel.



**LOVE2SHOP**