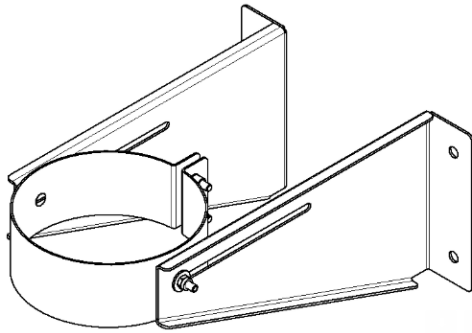


Retrofit Wall Support – ICID Plus and ICS25

This component has been introduced to the range to allow for a simple, retrofit support, which has been designed to minimise the footprint of the side plates, whilst maximising the load bearing capability, allowing for one support to be used on most standard bungalow or 2 storey homes, supporting up to 10m of chimney. Adjustable from between 60mm to 200mm from the wall, it allows for use with either 90 degree or 135 degree tees and can be retrofitted over the top of the standard pipe section immediately above the tee allowing for fast and simple installation.



Features	Benefits
Supports 10m of Double Wall Chimney.	One support is enough for standard bungalow and 2 storey house installations.
Adjustment on side plates 60-200mm from wall.	Allows 1 component for use with standard 90 degree and 135 degree tees.
Clamp Band design.	Clamp Band can be positioned anywhere on the pipe to tie in with trim collars. Allows retrofit of support, once pipe is in position.
Captive nuts on clamp band.	Simple to install. No nuts to be dropped and lost on site.

Int Ø (mm)	100	125	150
Ext Ø (mm)	150	180	200
Weight	1.9	2.0	2.1
SAP Code Black	169696	169697	169698
EAN Black	4049723639476	4049723639483	4049723639490
RRP Black	£64.52	£66.40	£67.28
SAP Code Plain	169699	169700	169701
EAN Plain	4049723639506	4049723639513	4049723639520
RRP Plain	£64.52	£66.40	£67.28

Schiedel Chimney Systems Ltd.
Crowther Estate
Washington
Tyne & Wear NE38 0AQ

Tel. 0191 4161150

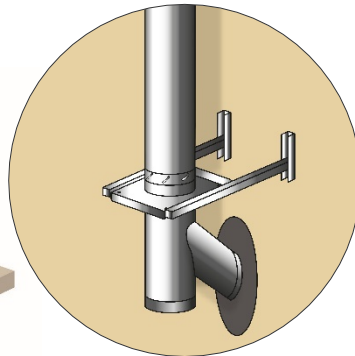
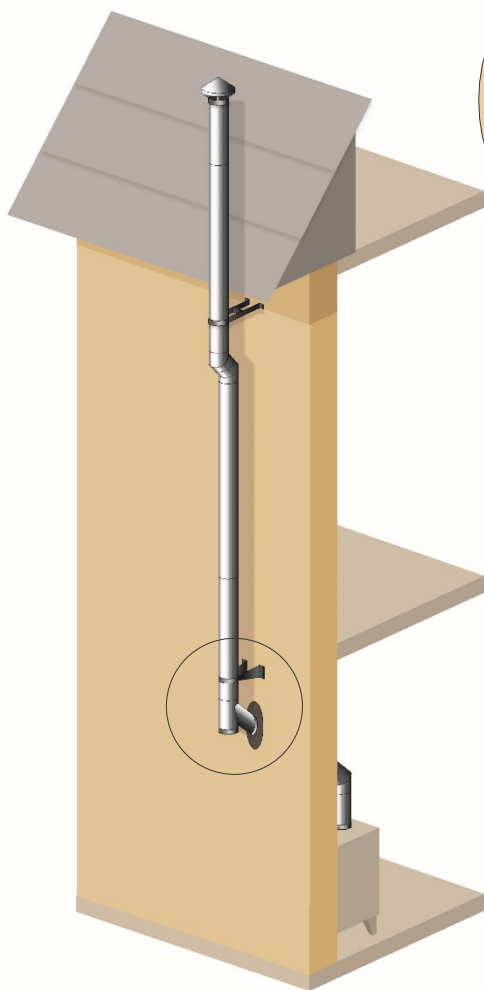
Follow SchiedelUK



Visit our website: **Schiedel.co.uk**

Retrofit Wall Support – ICID Plus and ICS25

Fantastic savings based on list prices for a typical single-storey and two-storey installations using ICID black painted components, including a **Lifetime Guarantee**.



Traditional black top plate and cantilever supports

Typical black painted Ø150 6.5m ICID system on a two-storey house

£1,753 LIST

Typical black painted Ø150 4.5m ICID system on a bungalow

£1,546 LIST

NEW black Retrofit Wall Support

Typical black painted Ø150 6.5m ICID system on two-storey house

£1,632 LIST
– SAVING 7%

Typical black painted Ø150 4.5m ICID system on a bungalow

£1,400 LIST
– SAVING 9.5%

